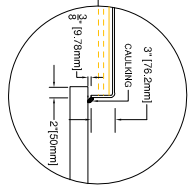
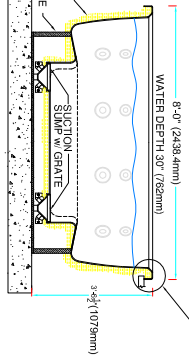
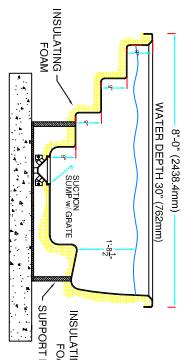
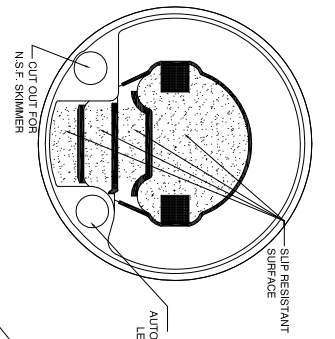
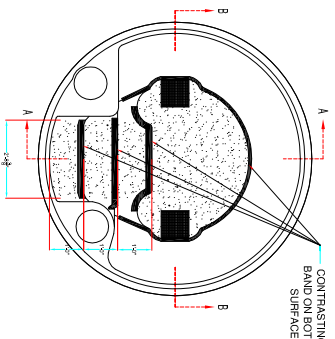
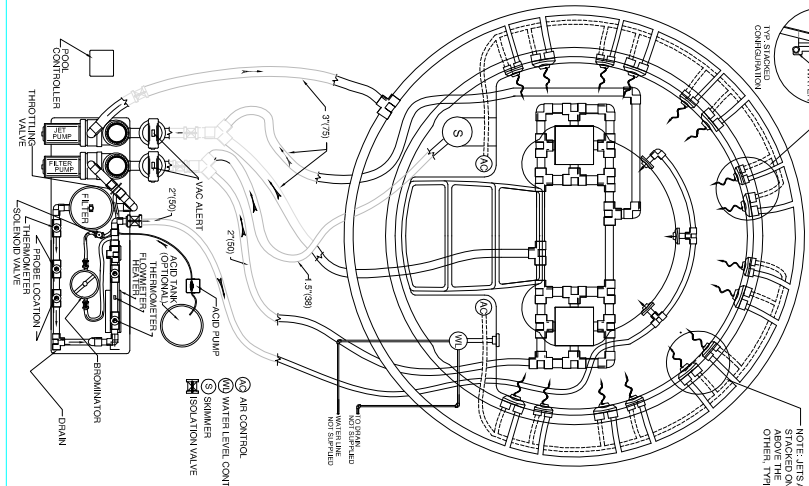
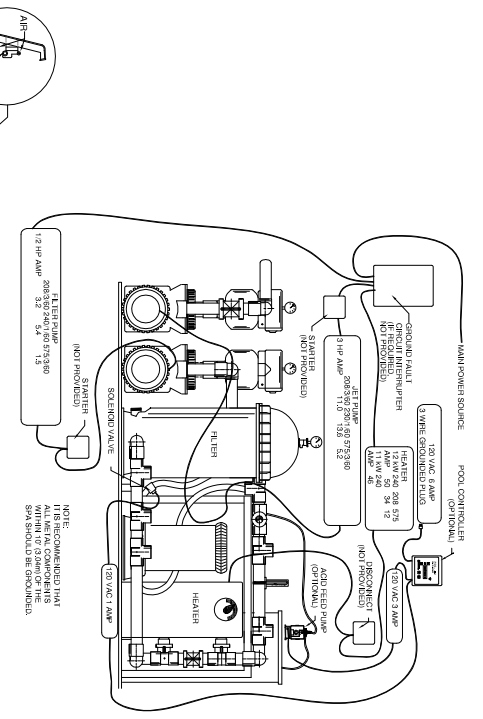
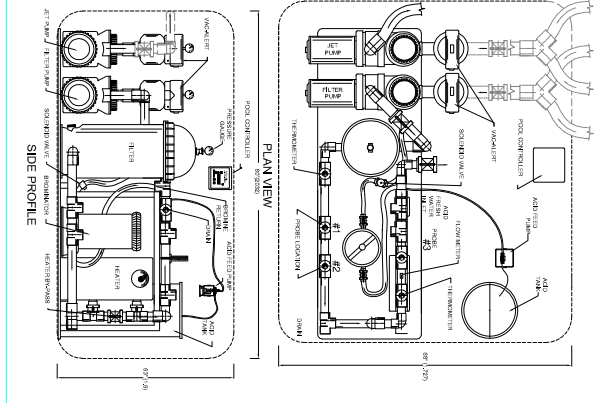


SHELL DIMENSIONS
 Dimensions other than Spa, Exact measurements should be obtained from purchased Spa.
 DIMENSIONS OTHER THAN SPA: SHELL HEIGHT: 42.5" (107.65cm) SHELL HEIGHT: 45.5" (115.5cm)
 DIMENSIONS OTHER THAN SPA: SHELL HEIGHT: 45.5" (115.5cm) SHELL HEIGHT: 44.5" (113.0cm)
 DIMENSIONS OTHER THAN SPA: SHELL HEIGHT: 45.5" (115.5cm) SHELL HEIGHT: 44.5" (113.0cm)



SPECIFICATIONS

- The shell of the hot tub shall be manufactured of vacuum formed acrylic (1.87 steel) in one of two colours: Biscuit (Ivory Bone), Caribbean Quartz (Medium Blue), 96" dia x 42.5" deep. See dimensional information on the sheet.
- The acrylic shall be further reinforced with fiberglass resins but may require additional on-site bracing supports (customer's responsibility) under the steps and seats.
- The shell shall have the following fittings:
 - Large hydrotherapy jets
 - Medium hydrotherapy jets
 - Small hydrotherapy jets
 - Built in bottom drain sump with removable grate
 - Air control valves
 - Water level tank filling with remote water level control tank
 - Filtered water return jets
- The hot tub will be insulated with a coating of polyurethane foam, factory plumbed and hydraulically tested.
- Recommended HCS 2-3 mechanical support system will be shipped on a QTY separate plastic bases and shall consist of:
 - 1/2hp filter pump (N.S.F. Listed)
 - 100 sq. ft. cartridge filter (N.S.F. Listed)
 - 3hp hydrotherapy booster pump (N.S.F. Listed)
 - Line of 12 KV electric heater (low switch)
 - Blower damper
 - Blower
 - Link Chemistry Controller *
 - Brominator (N.S.F. Listed) with normally closed solenoid valve *
 - Acid feed pump with 15 gal solution tank c/w lid *
 - Water level controller with overflow (located at the shell)
 - VAD200 Vacuum Release device (SNAE A112.191.2002 Listed) *
- Optional handrail with anchor and escutcheon plates or deck flange, and one year on the plumbing, mechanical equipment and accessories. On-site plumbing is NOT covered.
- Installation items NOT covered by this specification and considered "by others" are motor starters and grounding of all electrical components. Electrical connections, motor, heater and component connections including supports under the seats and steps of the shell.



HYDRAULIC DESIGN

SPA VOLUME: 437 litres
 TURNOVER: 15 minutes
 FILTER FLOW RATE: 30 usgpm @ 60" T.D.H.
 113.5 LPM @ 17.92 M hd
 FILTER AREA: 100 sq.ft.
 OPERATING @ 300 usgpm/sq.ft.
 FILTER PUMP: 1/2 hp
 16 HYDROTHERAPY FITTINGS
 8 LARGE OPERATING @ 10 usgpm/ 37.8 Lpm
 8 SMALL OPERATING @ 5 usgpm/ 18.9 Lpm
 HYDROTHERAPY FLOW RATE: 120 usgpm @ 80" TDH
 454.2 LPM @ 17.92 M hd
 HYDROTHERAPY PUMP: 3 hp
 TOTAL FLOW RATE: 150 usgpm/57.8 Lpm
 TOTAL OPEN AREA OF MAIN DRAINS: 73.5 sq.in./ 474 sq.cm.
 VELOCITY THROUGH MAIN DRAINS: .68 ft./sec/ 0.2012 m. / sec



This drawing and the ideas, concepts, illustrative and written information represented hereby are the confidential property of HydroTher. Reproduction of all or any part of this drawing or plans thereof, or any other confidential and proprietary property contained herein without the permission of HydroTher, is forbidden.

1	04-3-2008	Checked by: S/M/B
		Drawings
		Revisions
<p>HYDROTHER 135 MATTHEWSON BLVD. E. MISSISSAUGA, ONTARIO CANADA L4Z 1N2 www.hydrother.com</p>		
<p>The HYDROTHER Model H - 800 C Drawing No. H-800-001 Scale: 1/4" = 1'-0" Date: Sept. 20/07 C'd by: J/S Job No.: 8002007</p>		
1		